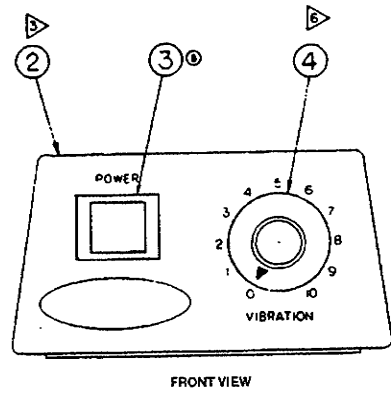
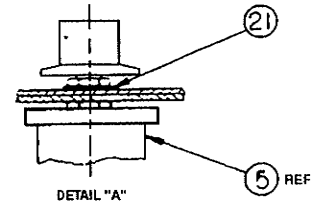
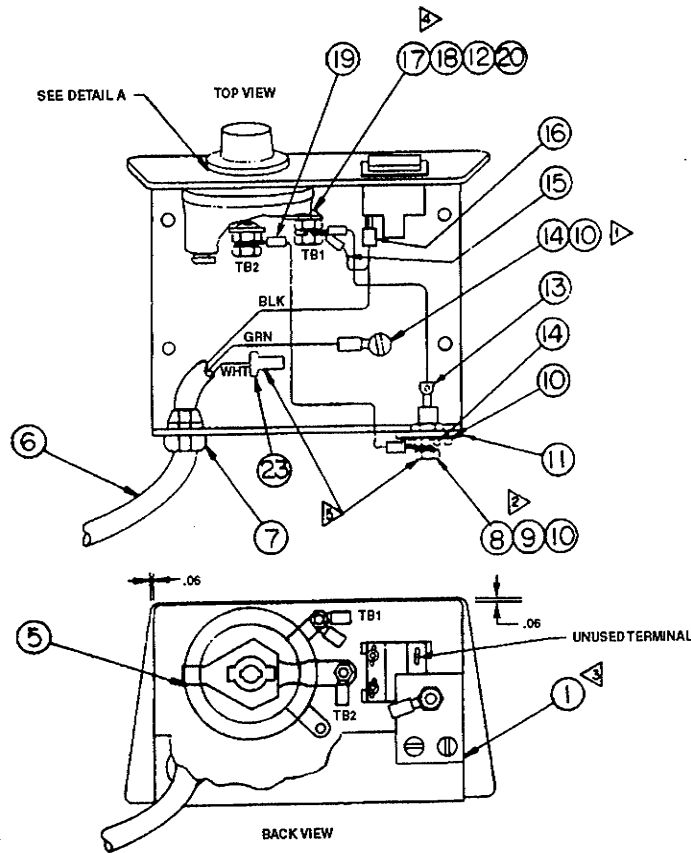
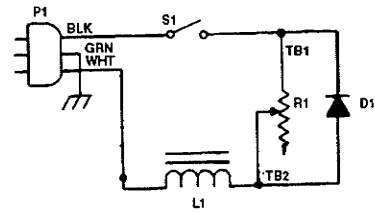


WIRING PANEL ASSEMBLY EE-1611-1



CAUTION: Due to supplier changes or component improvement, instruction manual diagrams MAY NOT MATCH YOUR MACHINE! When replacing electrical parts, check the replacement component wiring.

WIRING PANEL ASSEMBLY EE-1611-1



WIRING SCHEMATIC

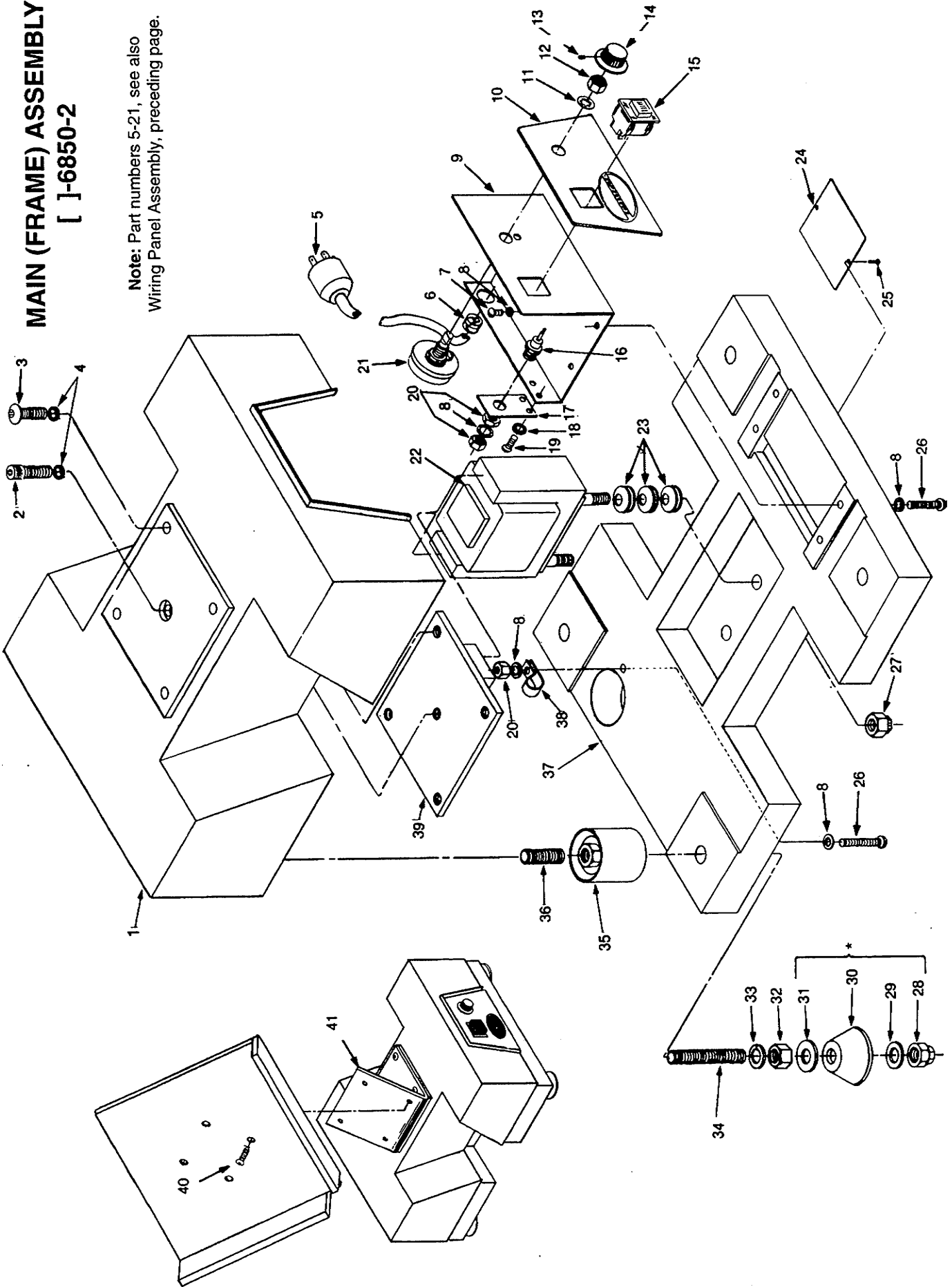
Ref. No.	Part No.	Part Name	Qty.
1.	6885	Panel, Electrical Control	1
2.	6886	Plate, Control	1
3.	E-1045-7	Pushbutton Switch	1
4.	E-1158-2	Knob (Pointer)	1
5.	E-1610	Rheostat	1
6.	KK-299-9	Assembled Power Cord	1
7.	S-1350	Strain Relief Bushing	1
8.	H-6427-#10	#10-32 Hex Nut	2
9.	E-1100-4	Wire Connector (Crimp Style)	1
10.	H-7324-#10	#10 Shakeproof Lockwasher	4
11.	E-1609	Diode Insulator	1
12.	E-1214-7	Connector 10-12	1
13.	E-1608	Rectifier, Stud Base	1
14.	H-6927-103204	#10-32 x 1/4" Rd. Hd. Mach. Screw	3
15.	E-709-4.5	#18 AWG Wire 4-1/2" Long	3
16.	E-1214-39	Wire Connector (Crimp Style)	1
17.	H-6923-83208	#8-32 x 1/2" Rd. Hd. Mach. Screw	2
18.	H-6423-#8	#8-32 Hex Nut	4
19.	E-1100-1	Wire Connector (Crimp Style)	1
20.	H-7324-#8	#8 Shakeproof Lockwasher	2
21.	H-7324-12	3/8" Shakeproof Lockwasher	1
22.			
23.	E-1237-1	Wire Nut	1

ASSEMBLY NOTES:

- 1> Install item (10) between mating surfaces of item (1) and eyelet of (6).
- 2> Install item (13) thru item (11) securing with item (8) then add item (9) & (10) securing with item (8).
- 3> Align holes of items (1) & (2) before securing.
- 4> Install item (17) thru terminal of item (5) securing with item (18) then add items (19) & (20) securing with item (18).
- 5> Coil assembly attaches to these terminals.
- 6> Turn rheostat shaft fully counter clockwise before securing knob. Align pointer on knob with zero then tighten.

MAIN (FRAME) ASSEMBLY [1-6850-2

Note: Part numbers 5-21, see also
Wiring Panel Assembly, preceding page.




MAIN (FRAME) ASSEMBLY

[]-6850-2

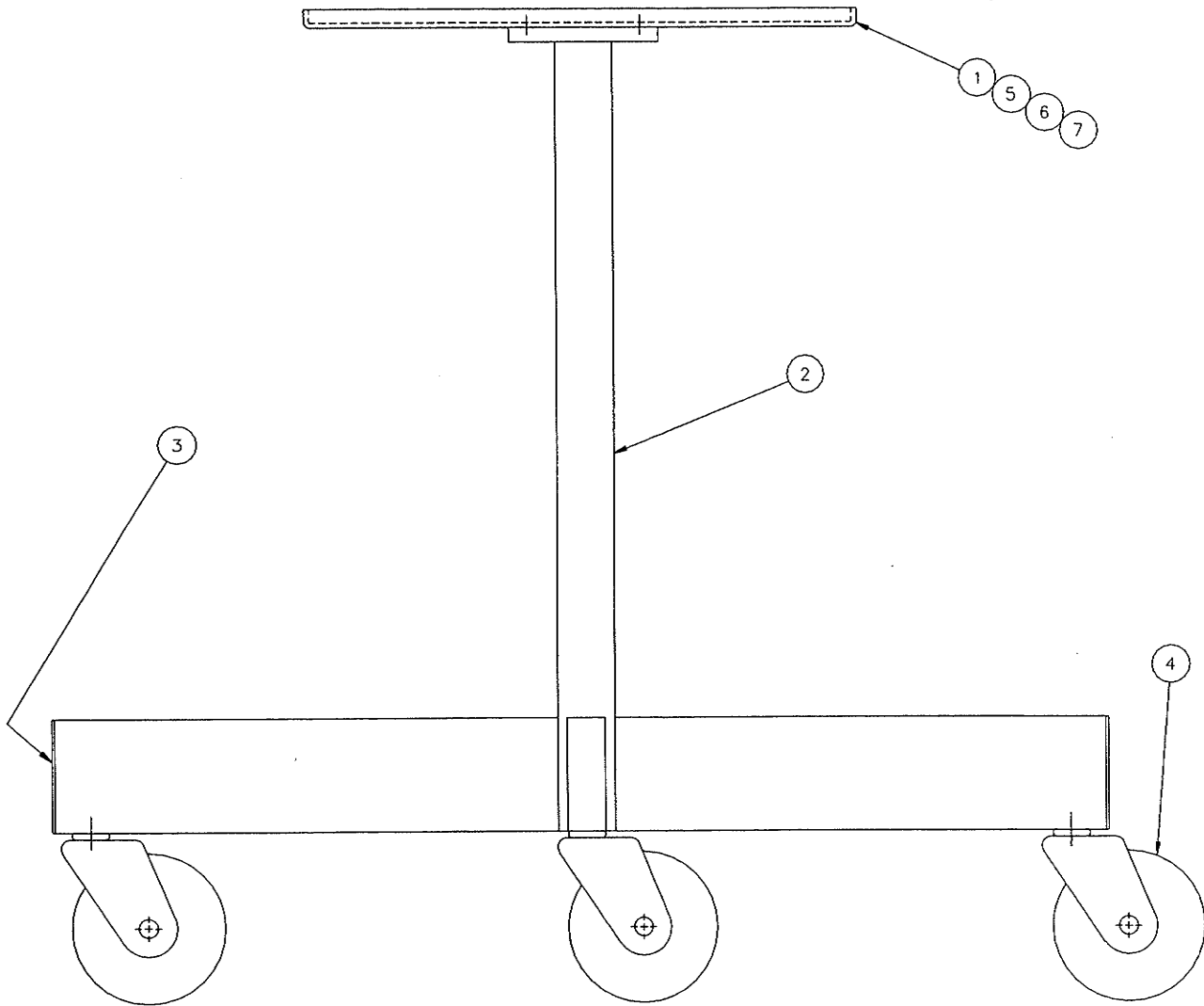
Ref. No.	Part No.	Part Name	Qty.
1.	6881	Aluminum Housing	1
2.	H-6915-506	5/16-24 x 3/4" Soc. Hd. Cap Screw	1
3.	H-6920-512	5/16-24 x 1-1/2" Butt. Hd. Cap Screw	4
4.	H-7324-10	5/16" Shakeproof Lockwasher	5
5.	KK-299-9	Assembled Power Cord	1
6.	S-1350	Strain Relief Bushing	1
7.	H-6927-103204	#10-32 x 1/4" Rd.Hd. Mach. Screw	3
8.	H-7324-#10	#10 Shakeproof Lockwasher	10
9.	6885	Panel, Electrical Control	1
10.	6886	Plate, Control	1
11.	H-7324-12	Lockwasher	1
12.	3/8-32	3/8-32 Jam Nut	1
13.	H-6938-83204	#8-32 x 1/4" Soc. Set Screw	2
14.	E-1158-2	Knob, Pointer	1
15.	E-1045-7	Pushbutton Switch	1
16.	E-1608	Stud Base Rectifier (Diode)	1
17.	E-1609	Diode Insulator Board	1
18.			
19.			
20.	H-6427-#10	#10-24 Hex Nut	3
21.	E-1610	Rheostat	1
22.	6884	Coil	1
23.	S-1925	Spring Washer	12
24.	S-1236-13	Elec. Spec. & Nameplate	1
25.	H-6424-004	#0 x 1/4" Rd. Hd. Drive Screw	2
26.	H-6927-103224	#10-32 x 1-1/2" Rd. Hd. Mach. Screw	5
27.	H-5248-5	5/16-24 Lock Nut, Full Height	2
28.	H-5240-8	1/2-13 Lock Nut, Thin Height	4
29.	H-7321-7	7/16" Plain Washer	4
30.	S-1924	Rubber Foot	4
31.	H-7321-8	1/2" Std. Washer, 1-3/8" Dia.	4
32.	H-6424-8	1/2-13 Hex Jam Nut	4
33.	H-7327-16	1/2" Medium Lockwasher	4
34.	S-1923	1/2-13 x 2-3/8" Stud	4
35.	S-1759-3	Isolator	4
36.	H-6951-816	1/2-13 x 1" Flat Pt. Nylok Soc. Set Screw ..	4
37.	6880	Base	1
38.	E-968-3	Cord Clamp	1
39.	6883	Armature	1
40.	H-6920-506	5/16-24 x 3/4" Butt. Hd. Cap Screw	4
41.	6882	Table Bracket	1
42.	S-1781-12	Label, Caution	1

* **NOTE: Machine serial numbers 4187 & up;** hardware items #28, 29, 31 are no longer required to secure rubber feet, item #30. (Rubber feet now have threaded insert and will work for repairs—order part no. S-1924.)



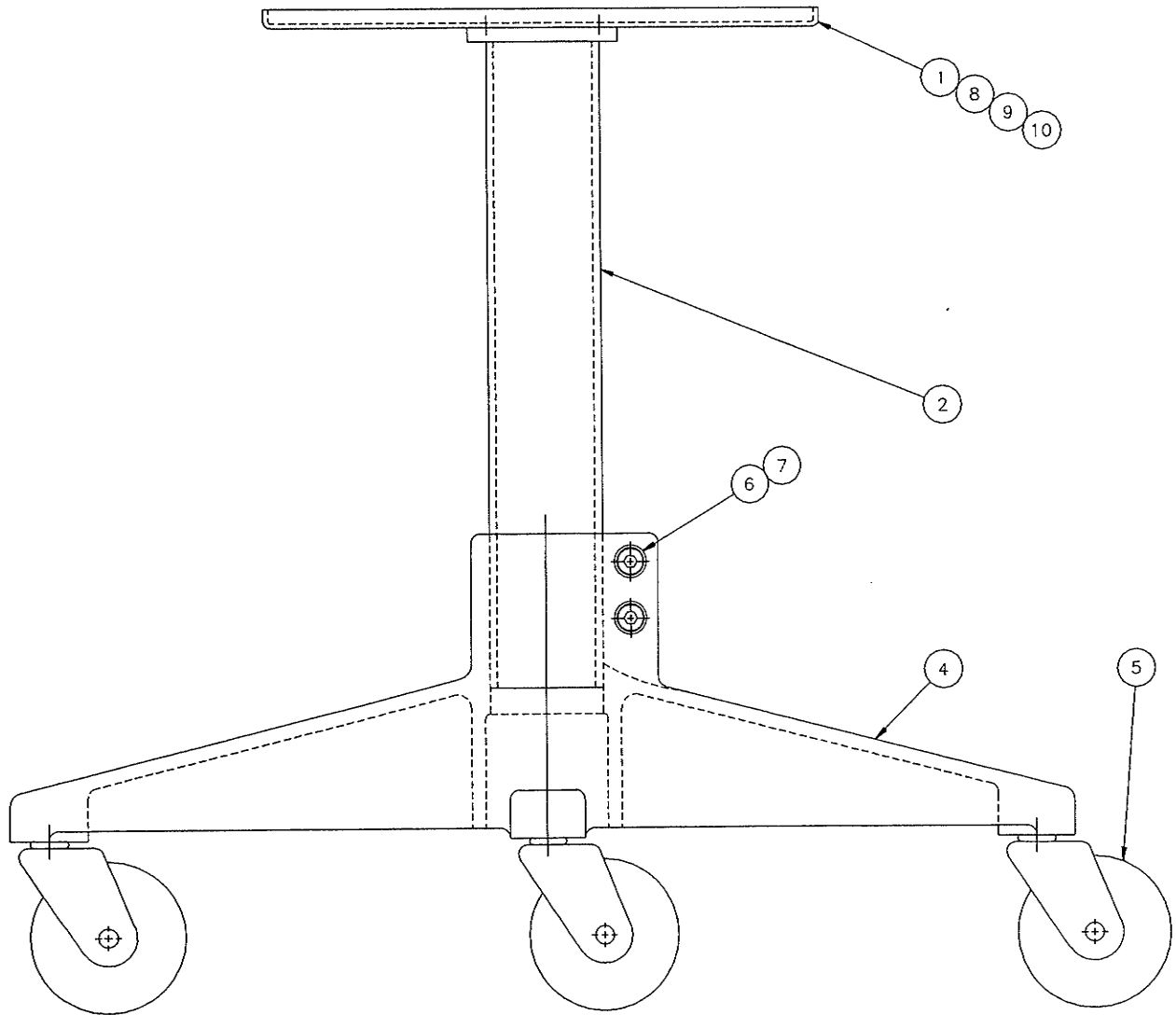
CAUTION: To avoid possible shock, ALWAYS disconnect the power before servicing or making adjustments.

**OPTIONAL STAND
A-6822-5**



NO.	PART NO.	DESCRIPTION OF ACCESSORIES	QTY
1	6866-2	PLATE - STAND	1
2	A-6888	STAND WELDMENT	1
3	S-1886	PLASTIC CAP	4
4	S-1881	CASTER	1
5	H-6913-510	5/16-18 X 1-1/4 HEX HD CAP SCREW	4
6	H-7327-10	5/16 MED. LOCKWASHER	4
7	H-6423-5	5/16-18 HEX NUT	4

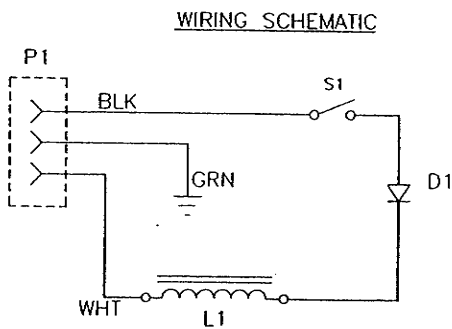
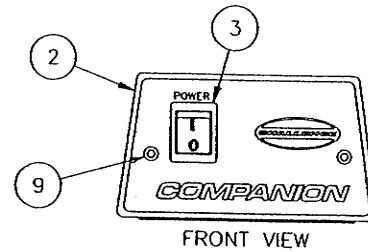
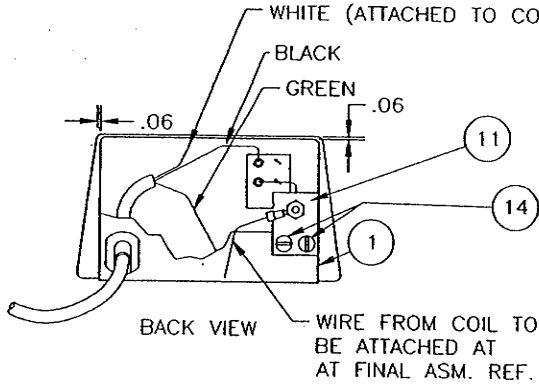
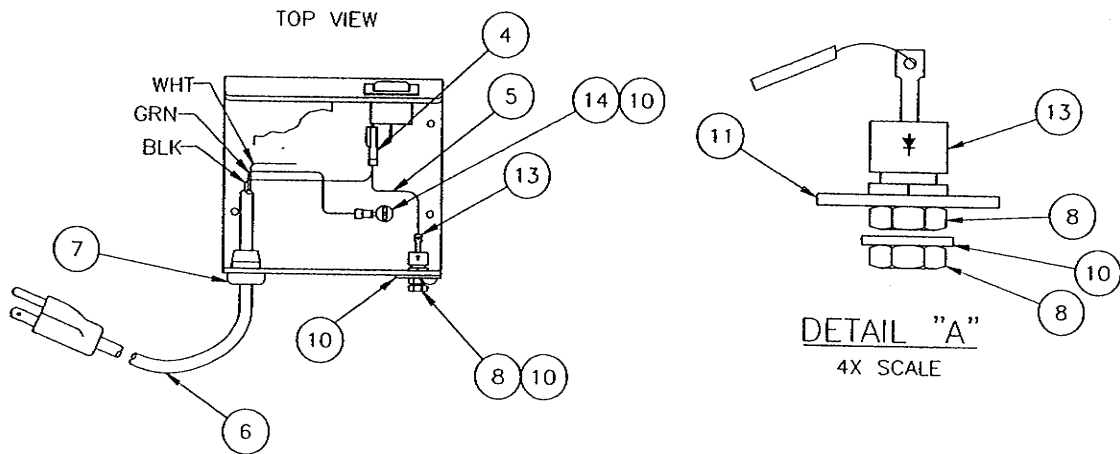
**OPTIONAL HEAVY DUTY STAND
A-6822-6**



NO.	PART NO.	DESCRIPTION OF ACCESSORIES	QTY
1	6866-2	PLATE - STAND	1
2	A-6824-1	TUBE ASSEMBLY - MAIN SUPPORT	1
3			
4	6823	BASE - JOGGER	1
5	S-1755	CASTER	4
6	H-6918-812	1/2-13 X 1-1/2 SOCKET HD CAP SCREW	2
7	H-7327-16	1/2 MED. LOCKWASHER	2
8	H-6913-510	5/16-18 X 1-1/4 HEX HD CAP SCREW	4
9	H-7327-10	5/16 MED. LOCKWASHER	4
10	H-6423-5	5/16-18 HEX NUT	4
11	W-132	3/8 ALLEN WRENCH	1

EE-1611-2 Power Panel Asm.

Please use this drawing for trouble shooting and ordering repair parts on machines with s/n 4993 and up.



NO.	PART NO.	DESCRIPTION OF ACCESSORIES	QTY
1	6885-1	PANEL - ELECTRICAL CONTROL	1
2	6886-1	PLATE - CONTROL	1
3	E-1140-11	SWITCH - ROCKER	1
4	E-1214-39	CONNECTOR - 1/4 QUICK DISC. (14-18)	1
5	E-709-R	WIRE - #18 GA MFW 4-1/2" LONG	1
6	KK-299-9	CORD ASM. - POWER	1
7	S-1350	STRAIN RELIEF BUSHING	1
8	H-6427-#10	NUT - #10-32 HEX	2
9	H-6920-103203	SCREW - #10-32 X 3/8 BUT HD SOC CAP	2
10	H-7324-#10	WASHER - #10 SHAKEPROOF LOCK	4
11	E-1609	INSULATOR - DIODE	1
12	E-1214-7	CONNECTOR - #10 INS RING (10-12)	1
13	E-1608	RECTIFIER - STUD BASE	1
14	H-6927-103204	SCREW - #10-32 X 1/4 RD HD MACH	3
15			